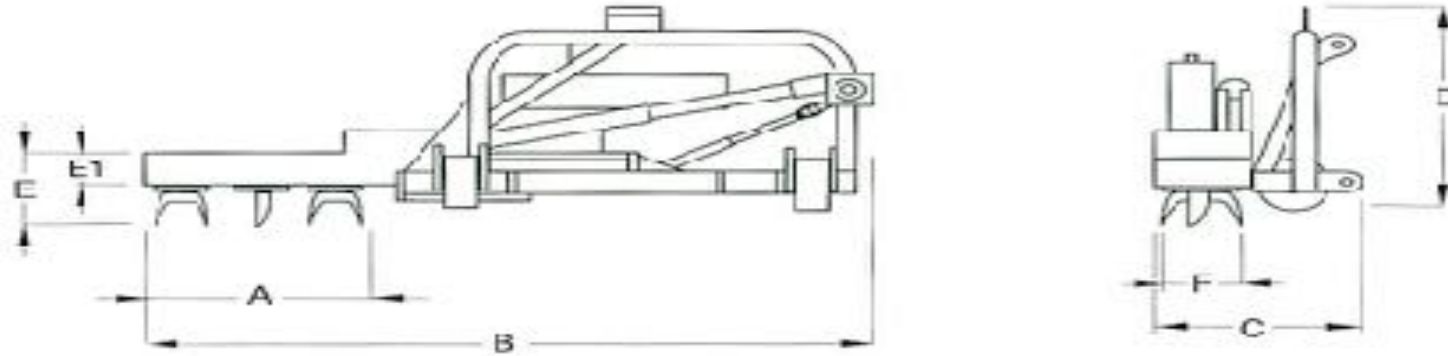


BUTLER EQUIPMENT

FPP In-Row Cultivator with Rotary Harrow

BASE MACHINE: Rotary harrow head with hydraulic sensor retraction and hydraulic height inclination; manual emergency recall lever;
 1100mm splined PTO with friction disk powers head; the FPP series is designed for rows from 6.5 to 11 feet wide (2 to 3.4 meters) with at
 least 23 inches(60cm) between the plants and recommended for soil with rocks and stones; harrow head slides in-and-out between plants



<u>FPP MODEL</u>	<u>MIN. HP TRACTOR</u>	<u>WORKING WIDTH (A)</u>	<u>OVERALL WIDTH (B)</u>	<u>LENGTH (C)</u>	<u>HEIGHT (D)</u>	<u>NUMBER ROTORS</u>	<u>NUMBER BLADES</u>	<u>HARROW WIDTH (F)</u>	<u>HARROW HEIGHT (E)</u>	<u>HARROW HEIGHT (E1)</u>
FPP 40 ERS	15	16	37	43	43	2	4	9	14	7
FPP 40 ER	15	16	49	43	43	2	4	9	14	7
FPP 60 ERS	15	23	43	43	43	3	6	9	14	7
FPP 60 ER	20	23	55	43	43	3	6	9	14	7
FPP 60 ERL	25	23	74	43	43	3	6	9	14	7
FPP 80 ER	35	31	64	43	43	4	8	9	14	7
FPP 80 ERL	35	31	84	43	43	4	8	9	14	7

(ALL MEASUREMENTS IN INCHES)